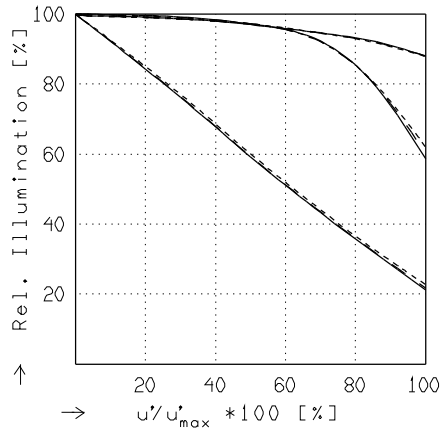
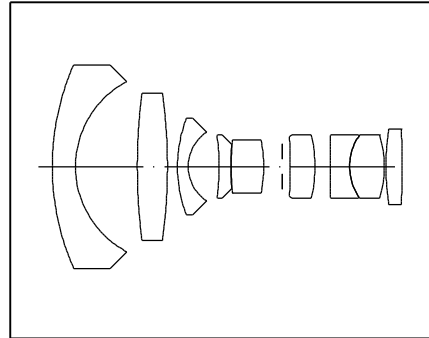


CINEGON 2.1/6.0

$f' = 6.2 \text{ mm}$ $\beta_p = 6.580$
 $s_F = 13.2 \text{ mm}$ $s_{EP} = 14.1 \text{ mm}$
 $s_{F'} = 15.3 \text{ mm}$ $s_{A'P} = -25.4 \text{ mm}$
 $HH' = 35.0 \text{ mm}$ $\Sigma d = 45.3 \text{ mm}$

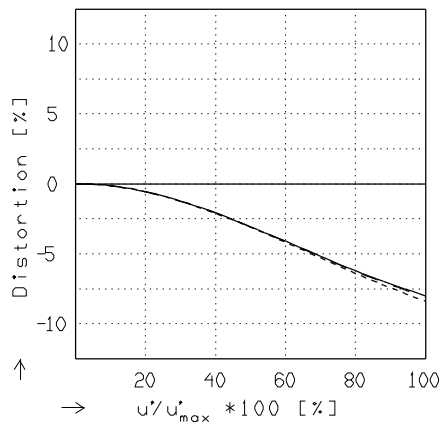


RELATIVE ILLUMINATION

The relative illumination is shown for the given focal distances or magnifications.

$f / 2.1$ $f / 4.0$ $f / 8.0$

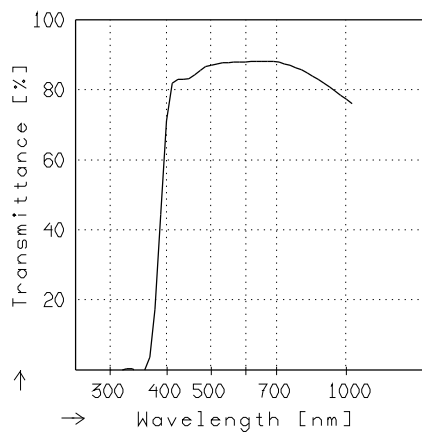
— $\beta' = -0.0100$ $u'_{max} = 5.5$ $00' = 666.$
 - - $\beta' = -0.0200$ $u'_{max} = 5.5$ $00' = 357.$
 ···· $\beta' = -0.0500$ $u'_{max} = 5.5$ $00' = 171.$



DISTORTION

Distortion is shown for the given focal distances or magnifications. Positive values indicate pincushion distortion and negative values barrel distortion.

— $\beta' = -0.0100$ $u'_{max} = 5.5$ $00' = 666.$
 - - $\beta' = -0.0200$ $u'_{max} = 5.5$ $00' = 357.$
 ···· $\beta' = -0.0500$ $u'_{max} = 5.5$ $00' = 171.$



TRANSMITTANCE

Relative spectral transmittance is shown with reference to wavelength.